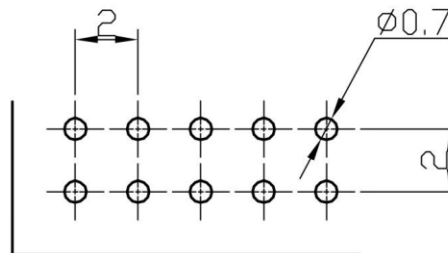
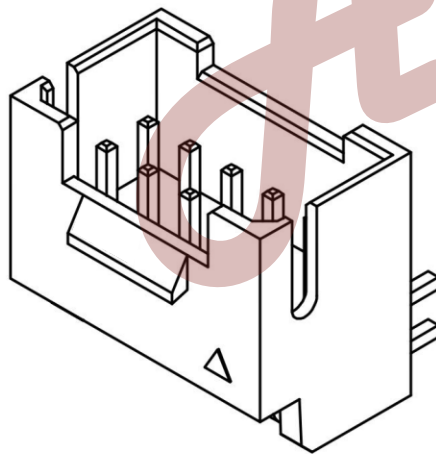
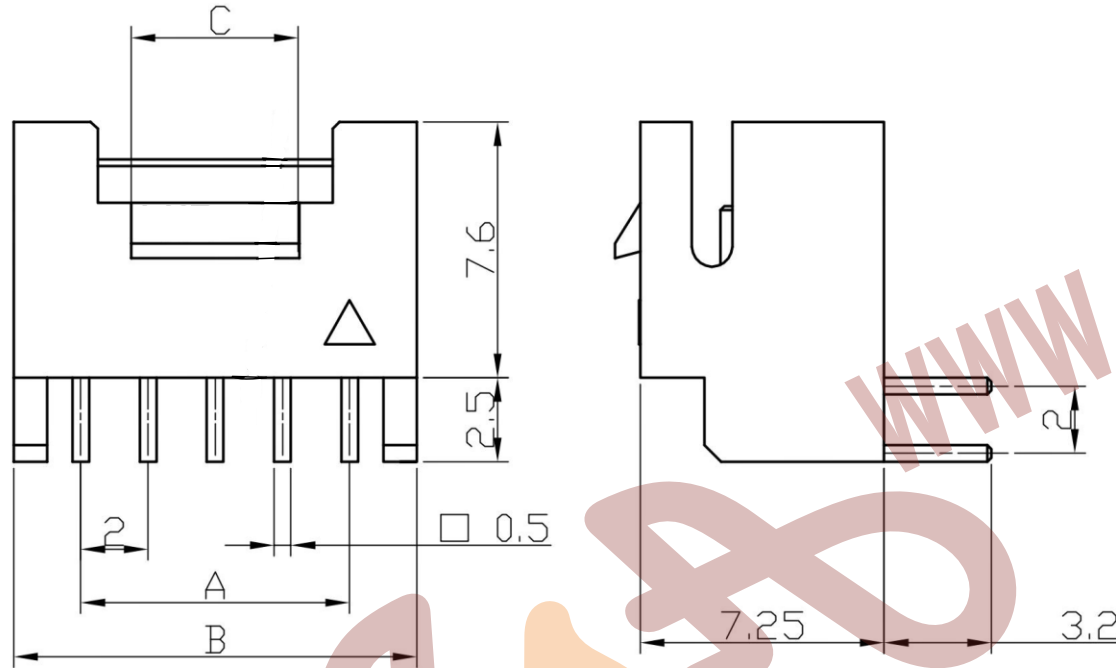


PHSD



P. C. B LAYOUT

Poles	Part No.	Dimensions mm		
		A	B	C
4	PHSD-2×2AWD	2.0	6.0	3.0
6	PHSD-2×3AWD	4.0	8.0	3.0
8	PHSD-2×4AWD	6.0	10.0	3.0
10	PHSD-2×5AWD	8.0	12.0	5.0
12	PHSD-2×6AWD	10.0	14.0	7.0
14	PHSD-2×7AWD	12.0	16.0	9.0
16	PHSD-2×8AWD	14.0	18.0	11.0
18	PHSD-2×9AWD	16.0	20.0	13.0
20	PHSD-2×10AWD	18.0	22.0	15.0
22	PHSD-2×11AWD	20.0	24.0	17.0
24	PHSD-2×12AWD	22.0	26.0	19.0
26	PHSD-2×13AWD	24.0	28.0	21.0
28	PHSD-2×14AWD	26.0	30.0	23.0
--	--	--	--	--
60	PHSD-2×30AWD	58.0	62.0	55.0



WWW.AsA-Elec.com

AsA Electronic Co.

Tel : (+98) 21 66 73 56 82 Mob : (+98) 912 03 161 02

X.° ±3° X. X° ±0.5°

>0-3	>3-18	>18-50	>50-120
±0.12	±0.15	±0.3	±0.5

MM Only	Design Units	SIZE	
	METRIC	A4	

Part No
PHSD-2×NAWD